

GROVE

WIPPZYLINDER VORMONTAGE

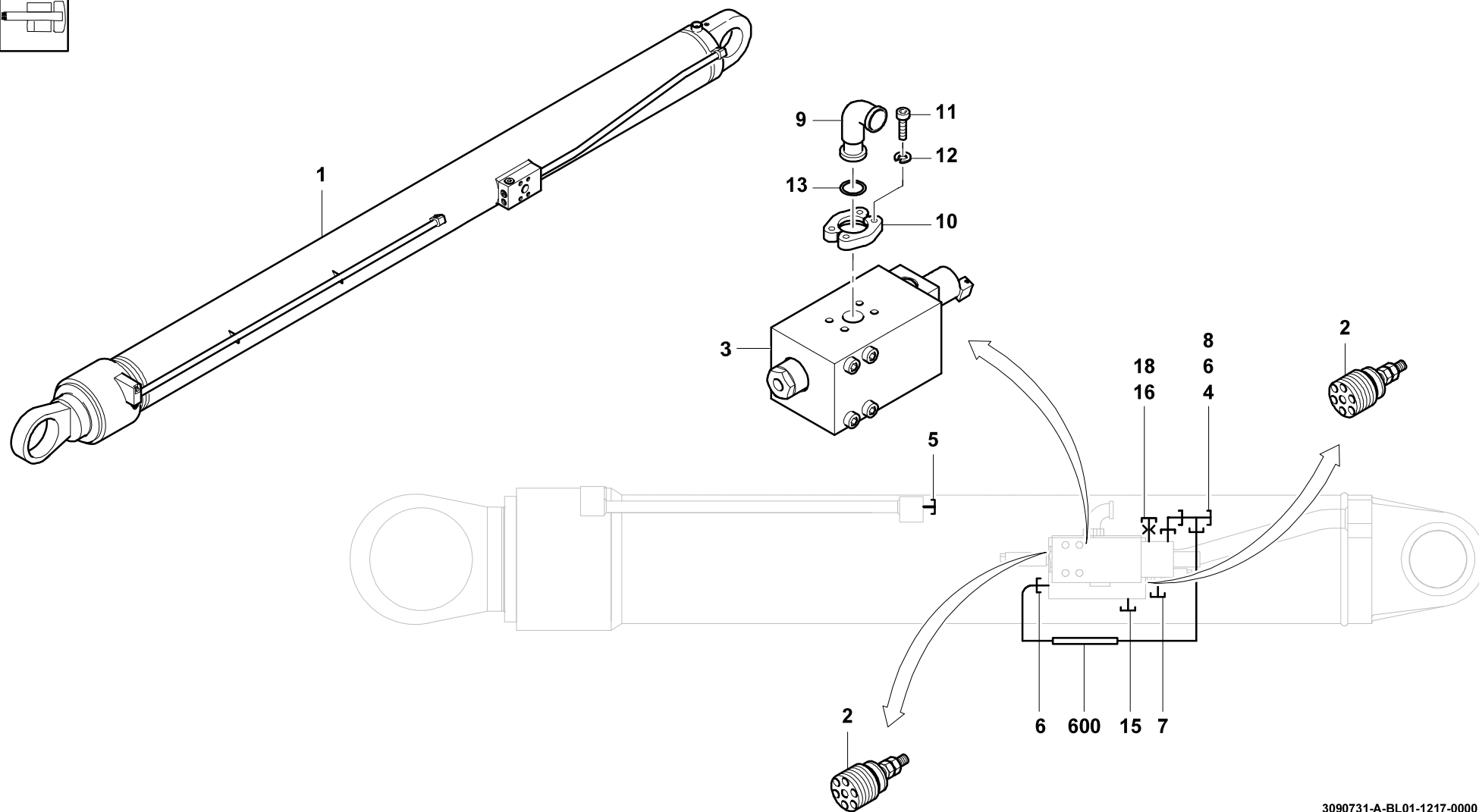
LUFFING CYLINDER PREASSEMBLY

BILDТАFEL
PICTORIAL DISPLAY**GMK4080-3**

12.17

3090731-ETL A

1/1



3090731-A-BL01-1217-0000